

Cut the grille

With the grille still on the car; Cut the grille with a multi cutter or a hacksaw as shown below. This will give you an opening of 56,5 cm to fit the LED bar with brackets.



Measure approximately 7 cm from the edge as shown in the picture. Do this on both sides of the grille.



Fasten the brackets to the lamp

Use a 4mm allen key. Do not over tighten as it may crack the brackets. Leave it loose enough so you can adjust it later. Use loctite on the screws.



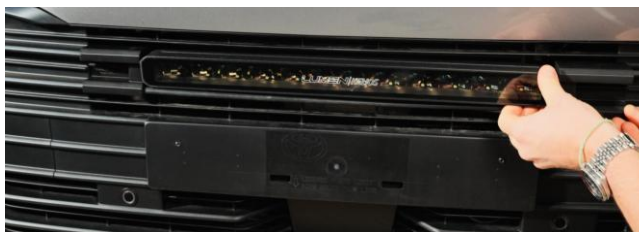
Notice that there are left and right hand sided mount brackets. Install the brackets to the lamp before installing on the vehicle. And align the brackets with the lamp for easier installation.

Install the lamp

Start installing on the right side. This side slides in on the profile.



Push the left side in.



Push the right side in.



Secure the lamp with the screw

Secure the right side with the provided safety screw.



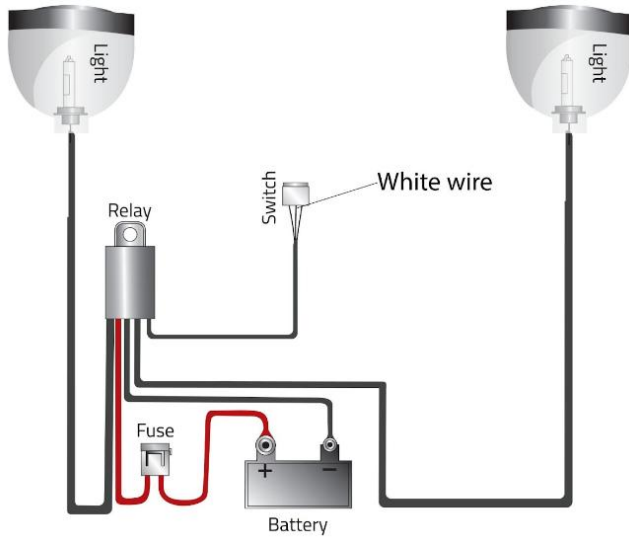
Adjust the lamp

Adjust the light up and down, so the light shines all the way to the end of an alley without the light stopping into the road. It should shine all the way through. Or you may experience loss of performance.



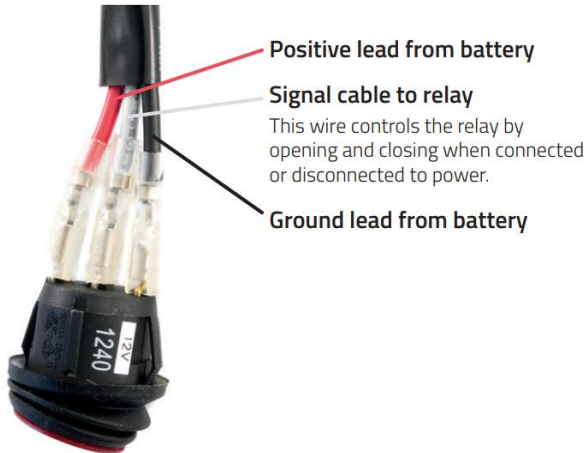
Wiring tips

The lamps should use a DT relay harness SKU: 14730
And it should be connected as shown below.



Alternative wiring

Most of us want to control the lamps with the car's light switch. In such a case, disconnect the white wire from the relay harness' switch and connect this white cable to the car's high beam signal, or to the can adapter signal output.

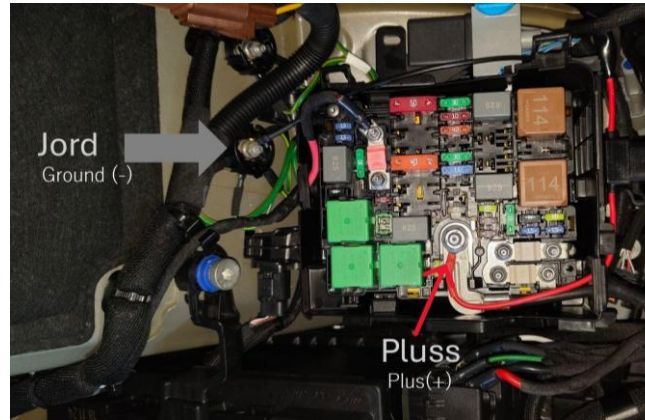


Supplied switch with relay harness.

Canbus signal

Many cars require a Can adapter for a high beam signal. This car will come with either LED or halogen. If it has LED you will need a Can adapter.

But since this is halogen we can find the signal directly on the lamp without using any can adapter. (Blue wire). We connect this blue wire to the white wire on the relay harness.(14730)



Here you can see an image of how to connect power to the LED bar. By opening the fuse box, you will find the necessary + and - power connectors.

LUMEN

Grille kit for light integration

147115

Toyota Proace

2025+



For video instructions scan this with your phone and follow the link

